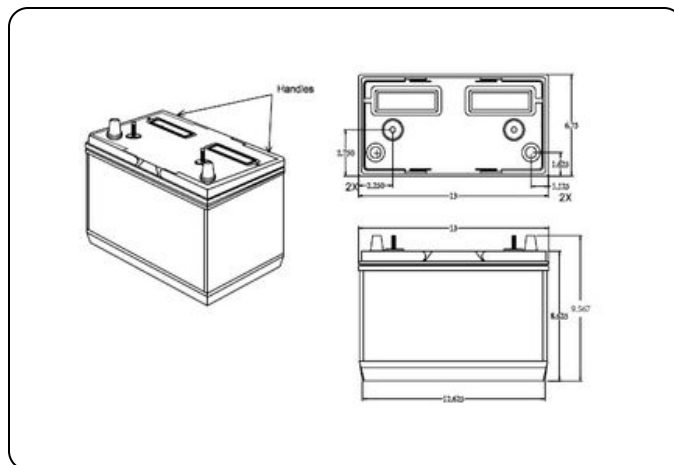


## US-31DCXC Specification Sheet

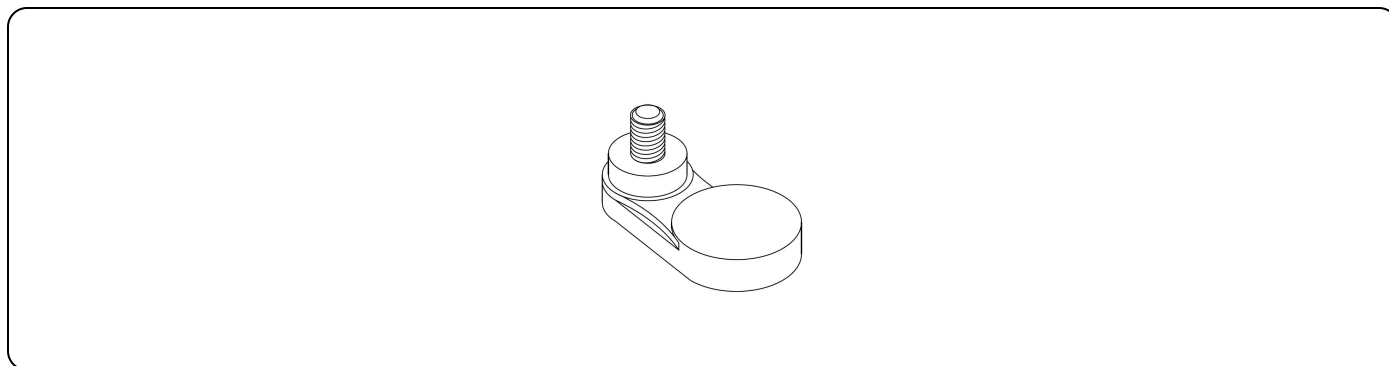
### Image



### Line Drawing



### Terminal



**Alrode** 📞 +27 11 864 7930 📍 6 Liebenberg Street, Alrode, Alberton, Gauteng, 1449 ✉️ PO Box 123888, Alrode, 1451 📧 sales@deltec.co.za

**Cape Town** 📞 +27 21 511 1001 📠 +27 21 511 1003 📍 60 Marine Drive, Paarden Eiland, Cape Town, 7405 ✉️ PO Box 13480, Mowbray, 7705

**Pinetown** 📞 +27 31 702 4333 📠 +27 31 702 4368 📍 116 Josiah Gumede Road, Pinetown, 3610 ✉️ PO Box 2491, Pinetown, 3600

**Nelspruit** 📞 +27 87 806 5876 | +27 71 494 0376 📍 Rapid Business Park, 10 Rapid Street, Riverside Industrial Park, Nelspruit, 1226

**Rustenburg** 📞 +27 14 596 5926/41/42 📍 63 van Belkum Street, Rustenburg, 0300 ✉️ PO Box 21851, Rustenburg, 0300

**Deltec Energy Solutions**, a member of the **Hudaco** group. Directors: Carl Luther (Managing), Marshall Moodley, Nevish Rampersadh. Hudaco Directors: G.R. Dunford (Managing), C.V. Amois, L.F.J. Meiring, D. Naidoo\*, N. Mandindi\* (\*Independent Non-Executive) Secretary: Hudaco Group Financial Services Pty Ltd. [Reg No.1984/005432/07](http://www.deltec.co.za)

## Application/Use

Category	Energy Storage
Application	Multipurpose
Warranty:	12

## Specs & Dimensions

Brand:	US Battery
Voltage:	12V
Material:	Free Acid
CCA Value:	n/a
CCA Std:	n/a
Cn Std:	C20
R. Cap min @ 25° C :	225
Dim L:	330
Dim W:	171
Dim TH:	248
Cell Layout:	D
Terminal:	DT7UT
Hold Down:	DHB00
Weight KG:	29
Ah Value:	130
Automotive Box Type:	Y
Handle:	H
Origin:	USA
URL:	<a href="https://www.usbattery.com/products/12-volt-batteries/us-31dc-xc2/">https://www.usbattery.com/products/12-volt-batteries/us-31dc-xc2/</a>
Technology	Deep Cycle
Technology Alternate	Cycling

**Alrode** 📞 +27 11 864 7930 📍 6 Liebenberg Street, Alrode, Alberton, Gauteng, 1449 ✉️ PO Box 123888, Alrode, 1451 📧 sales@deltec.co.za

**Cape Town** 📞 +27 21 511 1001 📠 +27 21 511 1003 📍 60 Marine Drive, Paarden Eiland, Cape Town, 7405 ✉️ PO Box 13480, Mowbray, 7705

**Pinetown** 📞 +27 31 702 4333 📠 +27 31 702 4368 📍 116 Josiah Gumede Road, Pinetown, 3610 ✉️ PO Box 2491, Pinetown, 3600

**Nelspruit** 📞 +27 87 806 5876 | +27 71 494 0376 📍 Rapid Business Park, 10 Rapid Street, Riverside Industrial Park, Nelspruit, 1226

**Rustenburg** 📞 +27 14 596 5926/41/42 📍 63 van Belkum Street, Rustenburg, 0300 ✉️ PO Box 21851, Rustenburg, 0300

**Deltec Energy Solutions**, a member of the **Hudaco** group. Directors: Carl Luther (Managing), Marshall Moodley, Nevish Rampersadh. Hudaco Directors: G.R. Dunford (Managing), C.V. Amoils, L.F.J. Meiring, D. Naidoo\*, N. Mandindi\* (\*Independent Non-Executive) Secretary: Hudaco Group Financial Services Pty Ltd. **Reg No. 1984/005432/07**

[www.deltec.co.za](http://www.deltec.co.za)