

Deltec

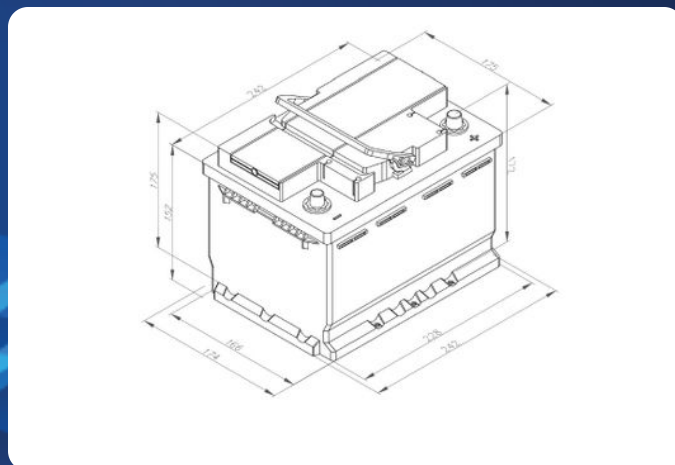
BRINGING ENERGY TO LIFE

BTAB-628P50 Specification Sheet

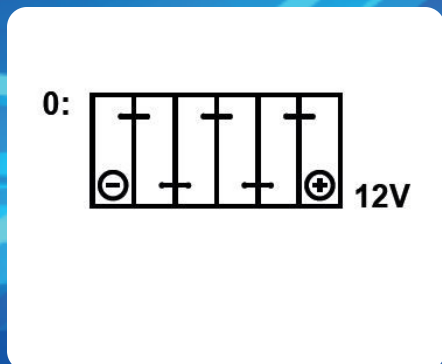
Image



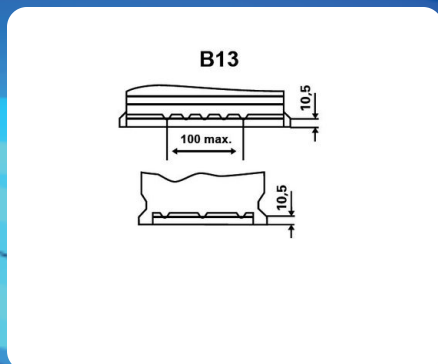
Line Drawing



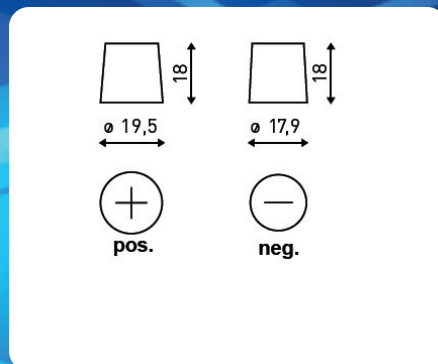
Cell layout



Hold Down



Terminal



Alrode 📞 +27 11 864 7930 📍 6 Liebenberg Street, Alrode, Alberton, Gauteng, 1449 ✉️ PO Box 123888, Alrode, 1451 📧 sales@deltec.co.za

Cape Town 📞 +27 21 511 1001 📠 +27 21 511 1003 📍 60 Marine Drive, Paarden Eiland, Cape Town, 7405 ✉️ PO Box 13480, Mowbray, 7705

Pinetown 📞 +27 31 702 4333 📠 +27 31 702 4368 📍 116 Josiah Gumede Road, Pinetown, 3610 ✉️ PO Box 2491, Pinetown, 3600

Nelspruit 📞 +27 87 806 5876 | +27 71 494 0376 📍 Rapid Business Park, 10 Rapid Street, Riverside Industrial Park, Nelspruit, 1226

Rustenburg 📞 +27 14 596 5926/41/42 📍 63 van Belkum Street, Rustenburg, 0300 ✉️ PO Box 21851, Rustenburg, 0300

Deltec Energy Solutions, a member of the **Hudaco** group. Directors: Carl Luther (Managing), Marshall Moodley, Nevish Rampersadh. Hudaco Directors: G.R. Dunford (Managing), C.V. Amoils, L.F.J. Meiring, D. Naidoo*, N. Mandindi* (*Independent Non-Executive) Secretary: Hudaco Group Financial Services Pty Ltd. Reg No.1984/005432/07

www.deltec.co.za

Application/Use

Category	Automotive
Application	AC Car
Warranty:	12

Specs & Dimensions

Brand:	Deltec Blue AC Car
Voltage:	12V
Material:	Free Acid
CCA Value:	450
CCA Std:	EN
Cn Std:	C20
R. Cap min @ 25° C :	81
Dim L:	242
Dim W:	175
Dim TH:	175
Cell Layout:	DL00
Terminal:	DT01
Hold Down:	DHB13
Weight KG:	12.9
Ah Value:	50
Sabma Value:	628U
Automotive Box Type:	L2B
Handle:	H
Origin:	Si
Technology	Starting

Alrode 📞 +27 11 864 7930 📍 6 Liebenberg Street, Alrode, Alberton, Gauteng, 1449 ✉️ PO Box 123888, Alrode, 1451 🌐 sales@deltec.co.za

Cape Town 📞 +27 21 511 1001 📠 +27 21 511 1003 📍 60 Marine Drive, Paarden Eiland, Cape Town, 7405 ✉️ PO Box 13480, Mowbray, 7705

Pinetown 📞 +27 31 702 4333 📠 +27 31 702 4368 📍 116 Josiah Gumede Road, Pinetown, 3610 ✉️ PO Box 2491, Pinetown, 3600

Nelspruit 📞 +27 87 806 5876 | +27 71 494 0376 📍 Rapid Business Park, 10 Rapid Street, Riverside Industrial Park, Nelspruit, 1226

Rustenburg 📞 +27 14 596 5926/41/42 📍 63 van Belkum Street, Rustenburg, 0300 ✉️ PO Box 21851, Rustenburg, 0300

Deltec Energy Solutions, a member of the **Hudaco** group. Directors: Carl Luther (Managing), Marshall Moodley, Nevish Rampersadh. Hudaco Directors: G.R. Dunford (Managing), C.V. Amois, L.F.J. Meiring, D. Naidoo*, N. Mandindi* (*Independent Non-Executive) Secretary: Hudaco Group Financial Services Pty Ltd. [Reg No.1984/005432/07](#)

www.deltec.co.za