

# Deltec

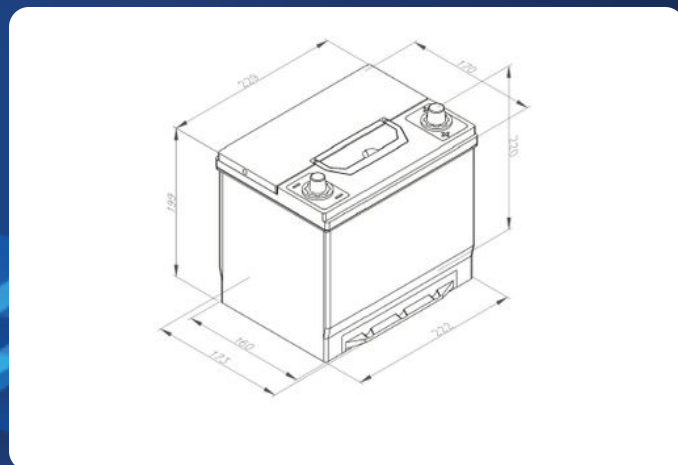
BRINGING ENERGY TO LIFE

## BTAB-621MF50L Specification Sheet

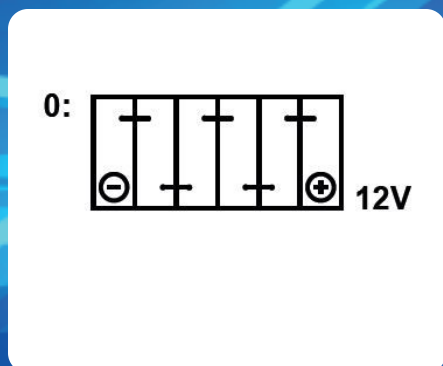
Image



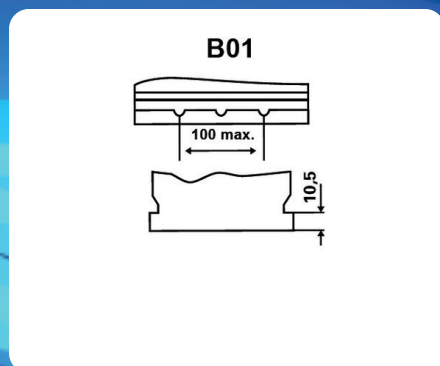
Line Drawing



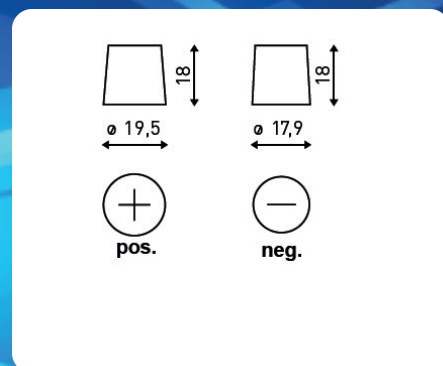
Cell layout



Hold Down



Terminal



**Alrode** 📞 +27 11 864 7930 📍 6 Liebenberg Street, Alrode, Alberton, Gauteng, 1449 ✉️ PO Box 123888, Alrode, 1451 📧 sales@deltec.co.za

**Cape Town** 📞 +27 21 511 1001 📠 +27 21 511 1003 📍 60 Marine Drive, Paarden Eiland, Cape Town, 7405 ✉️ PO Box 13480, Mowbray, 7705

**Pinetown** 📞 +27 31 702 4333 📠 +27 31 702 4368 📍 116 Josiah Gumede Road, Pinetown, 3610 ✉️ PO Box 2491, Pinetown, 3600

**Nelspruit** 📞 +27 87 806 5876 | +27 71 494 0376 📍 Rapid Business Park, 10 Rapid Street, Riverside Industrial Park, Nelspruit, 1226

**Rustenburg** 📞 +27 14 596 5926/41/42 📍 63 van Belkum Street, Rustenburg, 0300 ✉️ PO Box 21851, Rustenburg, 0300

**Deltec Energy Solutions**, a member of the **Hudaco** group. Directors: Carl Luther (Managing), Marshall Moodley, Nevish Rampersadh. Hudaco Directors: G.R. Dunford (Managing), C.V. Amols, L.F.J. Meiring, D. Naidoo\*, N. Mandindi\* (\*Independent Non-Executive) Secretary: Hudaco Group Financial Services Pty Ltd. Reg No.1984/005432/07

[www.deltec.co.za](http://www.deltec.co.za)

## Application/Use

Category	Automotive
Application	AC Car
Warranty:	12
Notes:	Line drawing added as per Nevish

## Specs & Dimensions

Brand:	Deltec Blue AC Car
Voltage:	12V
Material:	Free Acid
CCA Value:	60
CCA Std:	EN
Cn Std:	C20
R. Cap min @ 25° C :	100
Dim L:	230
Dim W:	173
Dim TH:	220
Cell Layout:	DL00
Terminal:	DT01
Hold Down:	DHB01
Weight KG:	14.8
Ah Value:	60
Sabma Value:	621
Automotive Box Type:	
Handle:	H
Origin:	Si
Technology	Starting

**Alrode** 📞 +27 11 864 7930 📍 6 Liebenberg Street, Alrode, Alberton, Gauteng, 1449 ✉️ PO Box 123888, Alrode, 1451 📧 sales@deltec.co.za

**Cape Town** 📞 +27 21 511 1001 📠 +27 21 511 1003 📍 60 Marine Drive, Paarden Eiland, Cape Town, 7405 ✉️ PO Box 13480, Mowbray, 7705

**Pinetown** 📞 +27 31 702 4333 📠 +27 31 702 4368 📍 116 Josiah Gumede Road, Pinetown, 3610 ✉️ PO Box 2491, Pinetown, 3600

**Nelspruit** 📞 +27 87 806 5876 | +27 71 494 0376 📍 Rapid Business Park, 10 Rapid Street, Riverside Industrial Park, Nelspruit, 1226

**Rustenburg** 📞 +27 14 596 5926/41/42 📍 63 van Belkum Street, Rustenburg, 0300 ✉️ PO Box 21851, Rustenburg, 0300

**Deltec Energy Solutions**, a member of the **Hudaco** group. Directors: Carl Luther (Managing), Marshall Moodley, Nevish Rampersadh. Hudaco Directors: G.R. Dunford (Managing), C.V. Amoils, L.F.J. Meiring, D. Naidoo\*, N. Mandindi\* (\*Independent Non-Executive) Secretary: Hudaco Group Financial Services Pty Ltd. Reg No.1984/005432/07

[www.deltec.co.za](http://www.deltec.co.za)